

RECOMMENDED FPC DIMENSIONS
GENERAL TOLERANCE ±0.05

NOTES:

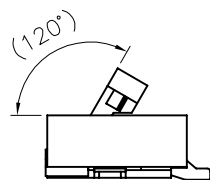
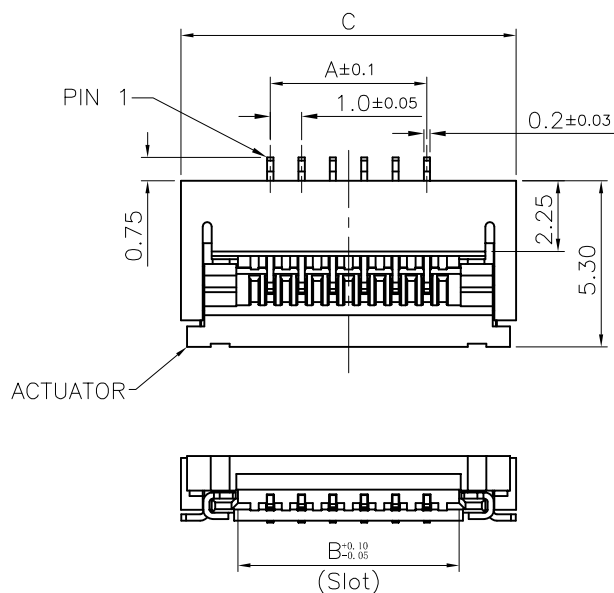
- MATERIAL:
 - HOUSING: THERMOPLASTIC, HIGH TEMP.,UL94V-0;
 - ACTUATOR: THERMOPLASTIC, HIGH TEMP.,UL94V-0;
 - CONTACT: COPPER ALLOY
 - FITTING NAIL: COPPER ALLOY
- FINISH:
 - CONTACT:
 - N: 50u" MIN. NICKEL UNDER PLATING
 - 50u" MIN. MATT TIN PLATING
 - FITTING NAIL:
 - N: 50u" MIN. NICKEL UNDER PLATING
 - 50u" MIN. MATT TIN PLATING
- REFLOW SOLDER CAPABLE TO 260°C PER ACES SPEC.
- SPEC. PLS. REFER TO PS-51619-XXXX-XXX
- PACKAGE PLS. REFER TO 52539-XXXX-XX-TRP
- PART NUMBER

52539-XXX X X-XXX

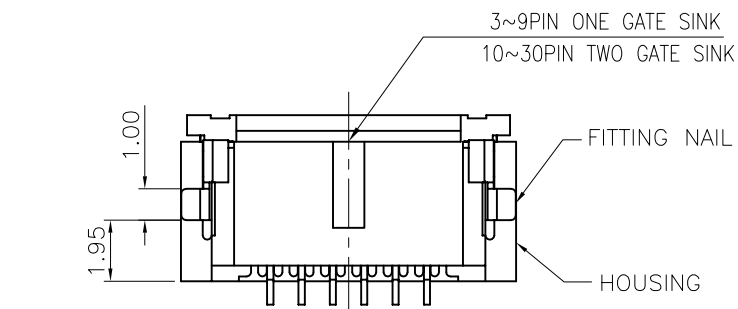
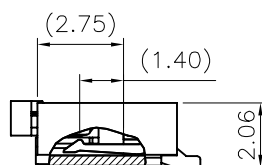
XXX	Housing Color	Actuator Color	OTHER
001	White	Black	52539-XXXX-XX-TRP
002	White	Black	52539-XXXX-U-TRP

NO OF CKT ————
PACKING ————
O: TAPE & REEL

PLATING ————
N: MATT TIN



COVER OPEN STATE



CKT	Dim A	Dim B	Dim C	CKT	Dim A	Dim B	Dim C
4	3.00	5.06	8.7	17	16.00	18.06	21.7
5	4.00	6.06	9.7	18	17.00	19.06	22.7
6	5.00	7.06	10.7	19	18.00	20.06	23.7
7	6.00	8.06	11.7	20	19.00	21.06	24.7
8	7.00	9.06	12.7	21	20.00	22.06	25.7
9	8.00	10.06	13.7	22	21.00	23.06	26.7
10	9.00	11.06	14.7	23	22.00	24.06	27.7
11	10.00	12.06	15.7	24	23.00	25.06	28.7
12	11.00	13.06	16.7	25	24.00	26.06	29.7
13	12.00	14.06	17.7	26	25.00	27.06	30.7
14	13.00	15.06	18.7	27	26.00	28.06	31.7
15	14.00	16.06	19.7	28	27.00	29.06	32.7
16	15.00	17.06	20.7	29	28.00	30.06	33.7
				30	29.00	31.06	34.7

QUALITY SYMBOLS MAJOR Ⓢ CRITICAL Ⓢ GENERAL TOLERANCES (UNLESS SPECIFIED) X. ±0.5 .X ±0.25 .XX ±0.15 .XXX ±0.1 ANGLES ±2°	DRAWN BY Guo,Fei DATE 23'/05/18	 1.0mm Easy On FPC Conn. SMT R/A B/C Type		
	CHECKED BY Xu,Zhi Yong DATE 23'/05/18		TITLE RFQ NO. RFQ-2012107	
	APPROVED BY Xu,Zhi Yong DATE 23'/05/18		UNITS mm SCALE 1 : 1	SIZE A4 REV B
	SHEET NO. 1 OF 1		DWG NO. 52539-XXXX-XXX	